

Rack System

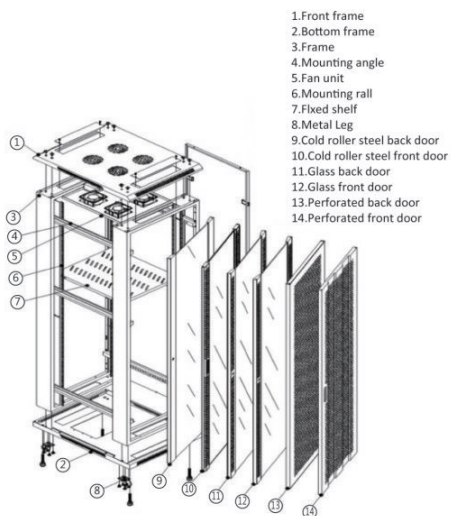
Product Standard

Our products comply with the standards of ANSI/EIA, RS-310-D, DIN41491 Part 1, IEC297-2, DIN41494 Part 7, GB/T3047.2-92.

It is also compatible with the international 19 inch, metric system and ETSI.

Technological Characteristics

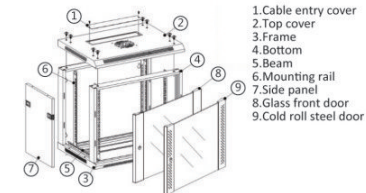
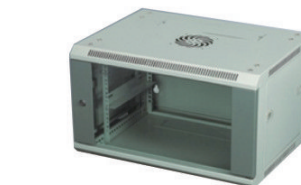
- 1.The framework of the racks is heavy-duty which is made of SPCC cold steel.
- 2.The raw materials are handled by degrease, acid pickling, rust -proof, parkerising and water washing. After that, it will be painted by electrostatic paint spray.
- 3.Well ventilation design can enhance compatibility. More IT equipment can be housed to the racks.
- 4.Each rack is equipped with an omni-directional wheel and support legs that a mobility and stability are improved.
- 5.It comes with a full set of high quality accessories. The front door, back door and side panel can be disassembled easily. An upper and down holes c/w cover plates are used for cable wiring.
- 6.Normally, a front door is single perforated door while a back door is double perforated door. An OEM configuration is available upon client's request.
- 7.There are individual design and combination for the racks. It can be full-set, frame only and frame with doors. The OEM services are provided.
- 8.The racks of 37U, 42U and 47U are completed with 3 nos. of fixed shelf and 1 no. of 6 way PDU.
- 9.The racks of 32U are completed with 2 nos. of fixed shelf and 1 no. of 6 way PDU.
- 10.The racks of 14U, 18U, 22U and 27U are completed with 1 no. of fixed shelf and 6 way PDU.



- 1.Front frame
- 2.Bottom frame
- 3.Frame
- 4.Mounting angle
- 5.Fan unit
- 6.Mounting rail
- 7.Fixed shelf
- 8.Metal Leg
- 9.Cold roller steel back door
- 10.Cold roller steel front door
- 11.Glass back door
- 12.Glass front door
- 13.Perforated back door
- 14.Perforated front door

	Item No.	Width		Depth		Height	
		mm	Inch	mm	Inch	mm	Inch
22U	GT-8122	800	31	1000	39	1200	47
	GT-8822	800	31	800	31	1200	47
	GT-8622	600	24	600	24	1200	47
	GT-6122	600	24	1000	39	1200	47
	GT-6822	600	24	800	31	1200	47
18U	GT-6622	600	24	600	24	1200	47
	GT-6818	600	24	800	31	1000	39
	GT-6618	600	24	600	24	1000	39
14U	GT-6614	600	24	600	24	1000	39

	Item No.	Width		Depth		Height	
		mm	Inch	mm	Inch	mm	Inch
47U	GT-8147	800	31	1000	39	2200	87
	GT-8847	800	31	800	31	2200	87
	GT-8647	600	24	600	24	2200	87
	GT-6147	600	24	1000	39	2200	87
	GT-6847	600	24	800	31	2200	87
42U	GT-6647	600	24	600	24	2200	87
	GT-8142	800	31	1000	39	2000	79
	GT-8842	800	31	800	31	2000	79
	GT-8642	800	24	600	24	2000	79
	GT-6142	600	24	1000	39	2000	79
37U	GT-6842	600	24	800	31	2000	79
	GT-6642	600	24	600	24	2000	79
	GT-8137	800	31	1000	39	1800	71
	GT-8837	800	31	800	31	1800	71
	GT-8637	800	24	600	24	1800	71
32U	GT-6137	600	24	1000	39	1800	71
	GT-6837	600	24	800	31	1800	71
	GT-6637	600	24	600	24	1800	71
	GT-8132	800	31	1000	39	1600	63
	GT-8832	800	31	800	31	1600	63
32U	GT-8632	800	24	600	24	1600	63
	GT-6132	600	24	1000	39	1600	63
	GT-6832	600	24	800	31	1600	63
32U	GT-6632	600	24	600	24	1600	63

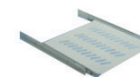


- 1.Cable entry cover
- 2.Top cover
- 3.Frame
- 4.Bottom
- 5.Beam
- 6.Mounting rail
- 7.Side panel
- 8.Glass front door
- 9.Cold roll steel door

	Item No.	Width		Depth		Height	
		mm	Inch	mm	Inch	mm	Inch
18U(Hang)	GT-6418	600	24	450	18	900	35
15U(Hang)	GT-6415	600	24	450	18	800	31
12U(Hang)	GT-6412	600	24	450	18	650	26
9U(Hang)	GT-6409	600	24	450	18	520	20
6U(Hang)	GT-6406	600	24	450	18	380	15



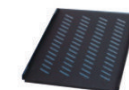
P/N:GT-PS01
6 PDU Power Socket



P/N:GT-SS66
Sliding shelf
Different size could be applied to different rack
600mm/800mm/960mm/1000mm



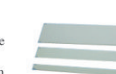
P/N:GT-SS66A
Sliding shelf
Different size could be applied to different rack
600mm/800mm/960mm/1000mm



P/N:GT-FS66A
Fixed shelf
Different size could be applied to different rack
600mm/800mm/960mm/1000mm



P/N:GT-FS66
Fixed shelf
Different size could be applied to different rack
600mm/800mm/960mm/1000mm



P/N:GT-BP8001
Blank plate
19" rack blank plate



P/N:GT-RFP602
Rack fan panel
2&4 fans



P/N:GT-WR01
Widen ring
800mm for 19" rack



P/N:GT-SS04
Support Screw
Supporting the rack



P/N:GT-CM901
Metal Cable Manager 24port,for 19" rack



P/N:GT-CM902
Metal Cable Manager 24 port,for 19" rack



P/N:GT-CM903
ABS Cable Manager 24 port,for 19" rack